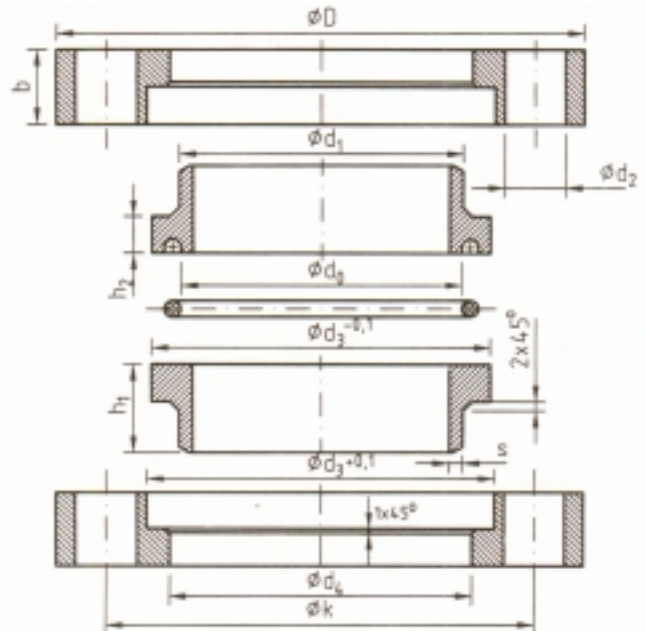


COMPAC® - Überwurfflansche DN 10-100/PN 6-40



Rohranschlußmaße		Flansch					Überwurf			Schrauben			Dichtung	
DN	PN	d_1	h_1	h_2	d_3	s	D	d_4	b	k		n	d_2	d_0
10	6-40	17,20	17,0	6,00	28,5	1,80	62,0	21,20	12,0	44,0	M10	4	11,0	17,04
15	6-40	21,30	17,0	6,00	32,0	2,00	66,0	25,30	12,0	48,0	M10	4	11,0	20,22
20	6-40	26,90	17,0	6,00	37,0	2,30	71,0	30,90	12,0	53,0	M10	4	11,0	26,57
25	6-40	33,70	17,0	6,00	44,0	2,60	84,0	37,70	12,0	63,0	M12	4	13,0	32,92
32	6-40	42,40	17,0	7,00	53,0	2,60	93,0	46,40	14,0	72,0	M12	4	13,0	41,28
40	6-40	48,30	17,0	7,00	59,0	2,60	95,0	52,30	14,0	77,0	M10	4	11,0	47,50
50	6-40	60,30	19,0	8,00	72,0	2,90	112,0	64,30	16,0	91,0	M12	4	13,0	59,70
65	6-40	76,10	23,0	10,00	88,0	2,90	125,0	80,10	20,0	106,0	M12	8	13,0	75,79
80	6-40	88,90	25,0	11,00	100,0	3,20	141,0	92,90	22,0	118,0	M12	8	13,0	88,49
100	6-40	114,30	28,0	12,50	126,0	3,60	165,0	118,30	25,0	144,0	M12	12	13,0	113,89

COMPAC -Flansche werden aus allen gängigen Flanschmaterialien hergestellt. Für alle COMPAC -Flanschttypen sind auch Blindflansche erhältlich.